



**WISHBONE**

WISHBONE

Designed and made in Australia, Wishbone provides designers with a contemporary item able to function equally in the home, office or home-office.



Designer's statement:

I wanted to create a system of tables that would showcase the table leg as the design feature. The leg demonstrates the physical and structural properties of steel, with unique balance of shape, material thickness, weight and structural strength.

The legs visual appearance suggests a light and simple design yet strong and solid in its matter. The design explores the boundaries of shape following function, by visually suggesting a strong support familiar with that of architectural building or bridge-like structures.

Alexander Lotersztain

From fire engine red to hot pink, seldom will a desk let us make a statement about us as an individual, or convey a workplace culture as well as Wishbone. Metal legs are available in over 100 colours to compliment the white melamine top.





With two tabletop finishes, coffee table is happy to coordinate by matching with the dining table, or performing alone. Metal legs are available in over one hundred colours. Tabletops in plywood with Queensland walnut veneer or white melamine finishes.



Content to work or play, this table sits easily in a study or with composure as a dining centre. A tabletop made of plywood with Queensland walnut veneer furnishes a warm yet cultured appearance. Metal legs are available in more than one hundred powder coat colours.





### WISHBONE SPECIFICATIONS

#### TABLETOP FINISHES

Queensland walnut veneer on plywood or white melamine on MDF

#### SIZES

800 x 800 1500 x 800 1800 x 800 2100 x 900

#### LEGS

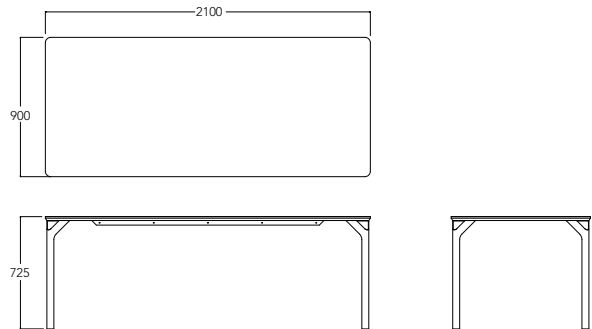
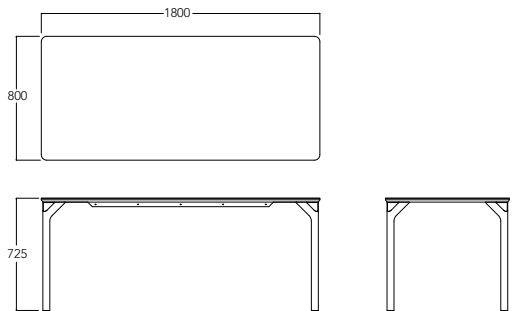
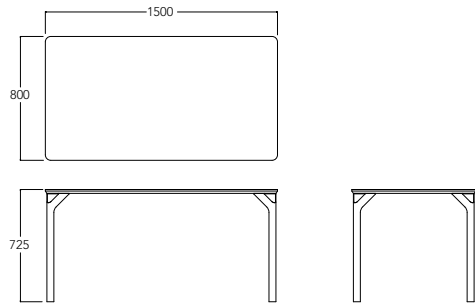
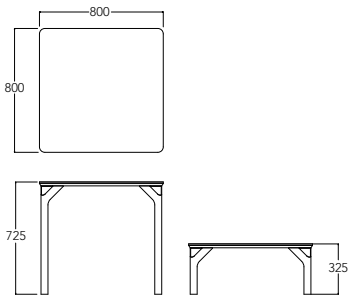
300mm/700mm

Mild steel with recycled content, pre-treated using a low temperature anti-rust phosphate process then finished in powder coat.

#### LEG FINISHES

Choose the leg colours from the 100+ Dulux powder coat chart

Manufactured in Australia to ISO14001 and ISO9001



Photography:  
Florian Groehn  
Shannon McGrath  
Nicole Reed  
Brochure design:  
5678 Design

Head Office / Manufacturing  
191 Princes Highway, Hallam  
VIC Australia 3803  
PO Box 125 Hallam 3803  
Tel: +61 3 8795 1100  
Fax: +61 3 8795 1122  
Email Melbourne: [info@planex.com.au](mailto:info@planex.com.au)

Sydney Showroom  
(Mon - Fri, 9am - 5pm by appointment only)  
Studio 4, Level 2  
18-20 Victoria Street, Erskineville  
N.S.W 2043  
Tel: +61 2 9517 2433  
Fax: +61 2 9517 2544 Email Sydney: [info@planex.com.au](mailto:info@planex.com.au)

Adelaide Showroom  
(Mon - Fri, 9am - 5pm by appointment only)  
238 Grenfell Street, Adelaide  
SA 5000  
Tel: +61 3 8795 1100  
Email Adelaide: [info@planex.com.au](mailto:info@planex.com.au)

Perth  
The Design Collective  
7 Queen Street, Western Australia  
WA 6000  
Tel: +61 8 9322 7780  
Mob: 0415 441 422  
Email Perth: [info@planex.com.au](mailto:info@planex.com.au)

Brisbane  
Tel: 1800 802 561  
Email Brisbane: [info@planex.com.au](mailto:info@planex.com.au)

Tasmania  
Tel: 1800 802 561  
Email Tasmania: [info@planex.com.au](mailto:info@planex.com.au)

ACT  
Tel: 1800 802 561  
Email ACT: [info@planex.com.au](mailto:info@planex.com.au)

Information in this document may be  
subject to change without notification.  
Brochure design > 5678 design

© Planex Oct 2014  
[www.planex.com.au](http://www.planex.com.au)



**WISHBONE**  
BY ALEXANDER LOTERSZTAIN

**planex**