



Slyder Pedestal Personal Storage

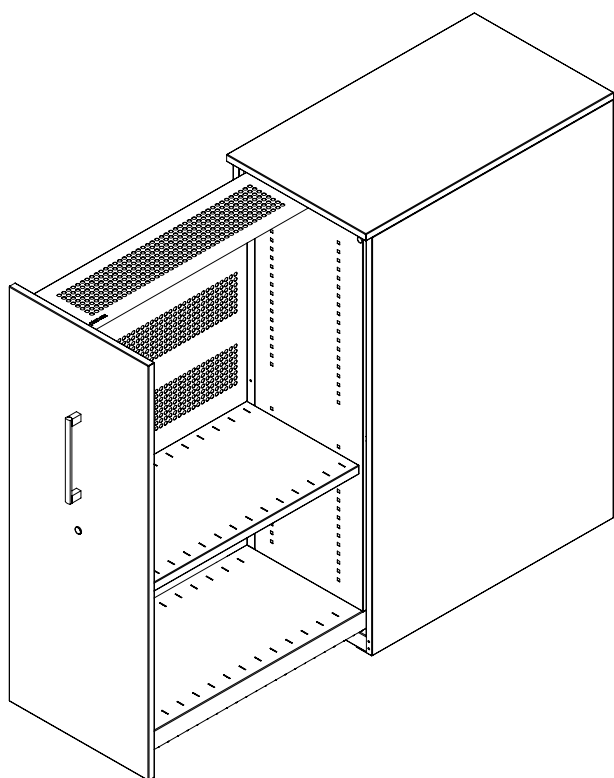
Slyder is a vertical pedestal that provides agile workstation support where traditional office pedestal cannot. Slyder combines pedestal utility with the functional storage space of a personal locker. Designed for the evolving workplace, Slyder creates a storage space for all desk accessories, bulky items and personal belongings. The pull-out drawer supports shelves and shelf dividers, file hangers, stationery tray and a handy pin-board surface on the inside.

| | |
|--------------------------|-------------------------------|
| Manufacturer | Planex Sales Pty Ltd |
| Location | Hallam, Melbourne |
| Lead Time | 6 Weeks from order (ex-works) |
| Standard Warranty | 10 years |



SLYDER PEDESTAL PERSONAL STORAGE

| CODE | HEIGHT | WIDTH | DEPTH |
|---------------------|--------|-------|-------|
| 28-FS1200-0450-0800 | 1200 | 450 | 800 |



Materials

- Welded body made of 100% recyclable steel (with up to 20% recycled content)
- Acupanel™ sound absorbing material

Manufacturing

- Made in Melbourne, Australia using locally sourced materials
- Manufactured for disassembly
- Polymer parts labelled for segregation and sorting
- Iron phosphate pre-treatment AS2331.3.1-2001 Method 3.1
- Designed for disassembly
- No PVC or VOC containing materials are used in production
- Planex factory uses a 100Kv roof mounted solar array to provide up to 25% of manufacturing electricity needs

Environmental certification

- Configurable in both left and right hand options
- Two adjustable shelves and four dividers as standard with additional shelves and dividers available
- Vertical anodised aluminium handle
- Removable (interchange) barrel locking system (or optional electronic locks)
- Adjustable levelling feet
- Perforated Linea punch-pattern. Other patterns are available on request
- Drawer internally lined with charcoal coloured 6mm Acupanel™ sound absorbing material (shown in tests to significantly reduce workplace noise)

Environmental certification

- Green Star compliant
- Production facility certified ISO14001 and ISO 9001
- Tested VOC compliant

Designer: Planex

