



## S-Series SD Lateral Drawer

The S-Series SD Lateral Drawer Cabinet is a smart storage alternative to conventional filing cabinets.

Available in 4 heights and 1 width, this Lateral all-purpose cabinet features smooth sliding drawers, ball bearing slides with integrated anti-tilt mechanism. The original Planex storage range, S-Series is a classic and flexible storage solution designed to meet the demands of the modern office.

<b>Manufacturer</b>	Planex Sales Pty Ltd
<b>Location</b>	Hallam, Melbourne
<b>Standard Warranty</b>	Ten years

**S-Series Dimensions**

Lateral Drawer	Height	Width	Depth
20-SD-2-0670	670	900	500
20-SD-2-0700	700	900	500
20-SD-3	1000	900	500
20-SD-4	1300	900	500

**Accessories**

L'Oblique AZO Drawer Files	Code	Suspension Axis	Height
Foolscap, V Base	23-FAZ039	390	250
Foolscap, 30mm Base	23-FAZ03930	390	250

**Materials**

- Welded body made of 100% recyclable BlueScope steel (with up to 20% recycled content)

**Colours/Finishes**

- Standard powder coats available in 150+ colours/finishes

**Product Features**

- Adjustable levelling feet (not available on 670 high model)
- Drawer slides rated at 80kg per pair
- Full width integrated handles
- Integrated anti-tilt system with counter weight
- North-South bracket to convert drawers from east-west to north-south (2 rows) filing
- European locking system with interchange barrel locks (1000 random combinations)
- No assembly required

**Accessories Ordered Separately**

- L'Oblique AZO drawer files in V or 30mm bases
- Master keys and option to key-alike available

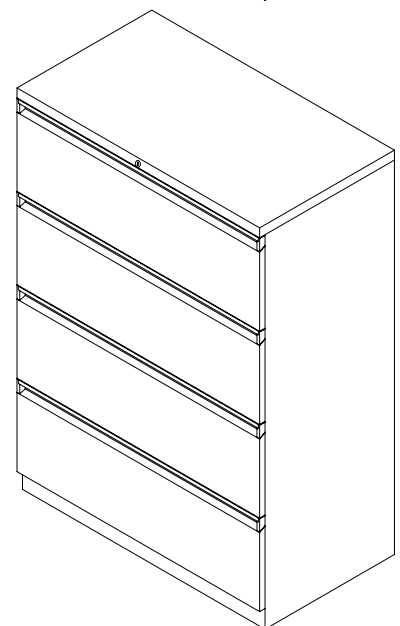
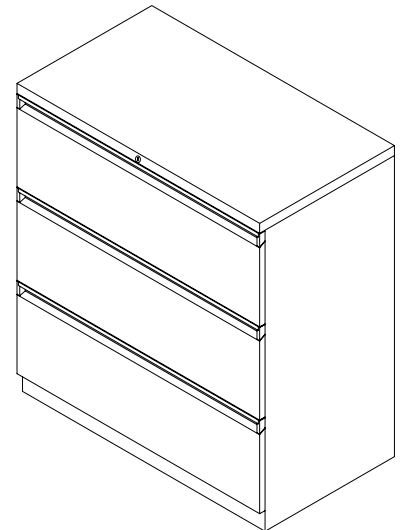
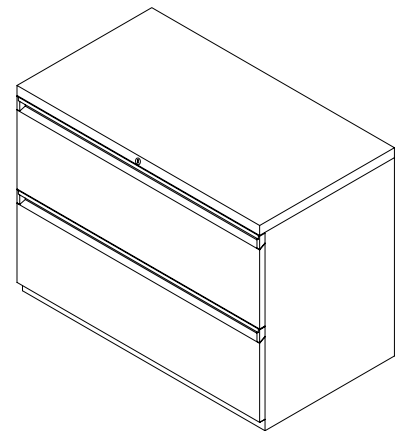
**Manufacturing**

- Made in Melbourne, Australia using locally sourced materials
- Manufactured for disassembly
- Polymer parts labelled for segregation and sorting
- Iron phosphate pre-treatment AS2331.3.1-2001 Method 3.1
- Planex factory uses a 100Kw roof mounted solar array to provide up to 25% of manufacturing electricity needs

**Environmental Certification**

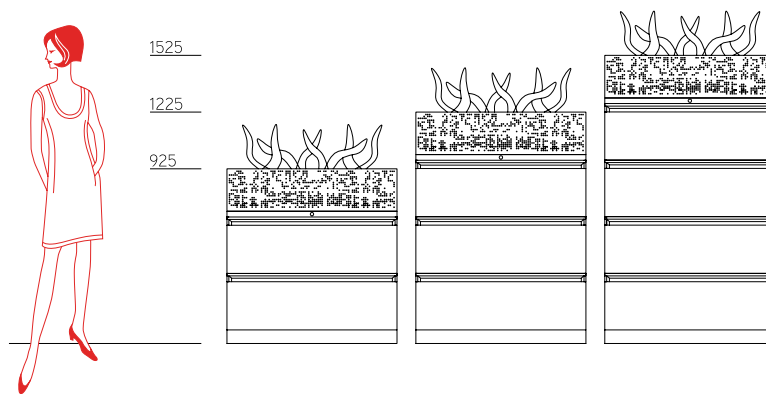
- GECA certified
- Certified Furntech-AFRDI Blue Tick ISO 7170-7171
- Product may contribute to Green Star credit points
- Production facility certified ISO14001 and ISO9001
- VOC compliant materials

**Designed by Planex**



### Planter Integration

Planter boxes easily integrate into Planex's range of steel storage, breathing new life and style into the landscape of any office. A collection of unique plant display units that double as a mobile screen or room divider, planter boxes can also be powdercoated and perforated with a punch pattern to match the style of the cabinet.



Copyright Planex 2018  
Information in this document may be  
subject to change without notification

**Head Office / Manufacturing**

191 Princes Highway, Hallam  
VIC Australia 3803  
PO Box 125 Hallam 3803  
Tel: +61 3 8795 1100  
Fax: +61 3 8795 1122  
Email Head Office: [info@planex.com.au](mailto:info@planex.com.au)

**Sydney Showroom**

(Mon - Fri, 9am - 5pm by appointment only)  
Studio 4, Level 2  
18-20 Victoria Street, Erskineville  
NSW 2043  
Tel: +61 2 9517 2411  
Fax: +61 2 9517 2544  
Email Sydney: [info@planex.com.au](mailto:info@planex.com.au)

**Adelaide Showroom**

(Mon - Fri, 9am - 5pm by appointment only)  
238 Grenfell Street, Adelaide  
SA 5000  
Tel: +61 3 8795 1100  
Email Adelaide: [info@planex.com.au](mailto:info@planex.com.au)

**Perth**

Tel: +61 3 8795 1100  
Email Perth: [info@planex.com.au](mailto:info@planex.com.au)

**Brisbane**

Tel: +61 3 8795 1100  
Email Brisbane: [info@planex.com.au](mailto:info@planex.com.au)

**Tasmania**

Tel: +61 3 8795 1100  
Email Tasmania: [info@planex.com.au](mailto:info@planex.com.au)

**ACT**

Tel: +61 3 8795 1100  
Email ACT: [info@planex.com.au](mailto:info@planex.com.au)