



## Security Receding Door Container Class B and C Lock

Planex Class B and C Lock Security Receding Door Containers are SCEC approved.

Receding door containers in various heights manufactured to meet the requirements of the Security Construction and Equipment Committee (SCEC), which is the standing interdepartmental committee responsible for the evaluation of security equipment used by Australian Government departments and agencies. Available in 4 heights and 1 width.

Manufacturer	Planex Sales Pty Ltd
Location	Hallam, Melbourne
Standard Warranty	Ten years

**Security Receding Door Dimensions**

Code (Class B S&G Lock)	Height	Width	Depth	kg
27-DO2RBS-1050-0900	1055	900	560	91
27-DO2RBS-1200-0900	1200	900	560	98
27-DO2RBS-1600-0900	1600	900	560	132
27-DO2RBS-1980-0900	1980	900	560	145
Code (Class B Kaba Lock)	Height	Width	Depth	kg
27-DO2RBK-1050-0900	1055	900	560	91
27-DO2RBK-1200-0900	1200	900	560	98
27-DO2RBK-1600-0900	1600	900	560	132
27-DO2RBK-1980-0900	1980	900	560	145
Code (Class C Bilock™)	Height	Width	Depth	kg
27-DO2R-1050-0900	1055	900	560	86
27-DO2R-1200-0900	1200	900	560	91
27-DO2R-1600-0900	1600	900	560	121
27-DO2R-1980-0900	1980	900	560	145

\* Depth is 506mm deep at floor and 560mm deep including handle

**Materials**

- Welded body made of 100% recyclable BlueScope steel (with up to 20% recycled content)

**Colours/Finishes**

- Standard ripple powder coats available in 19 colours/finishes

**Product Features**

- Class B fitted with a Kaba X-10™ lock or S&G 2740a Lock
- Class C fitted with Australian Lock Company BiLock™

**Accessories Ordered Separately**

- Adjustable shelves
- Shelf dividers
- Pull-out reference shelves
- Pull-out file frames (for drawer files)
- Rails to hold L'Oblique TUB folders (hook folders)
- Shelf wire rack dividers for lateral shelf files (wrap around and square)
- Modular drawers for miscellaneous items
- Modular drawer compactor
- Modular drawer slotted partition
- Modular drawer plain partition

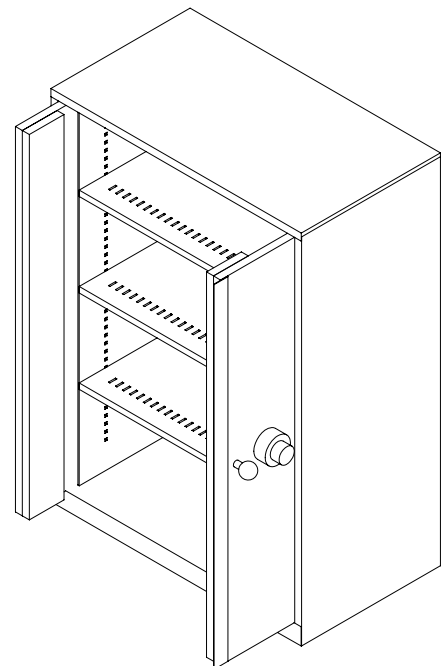
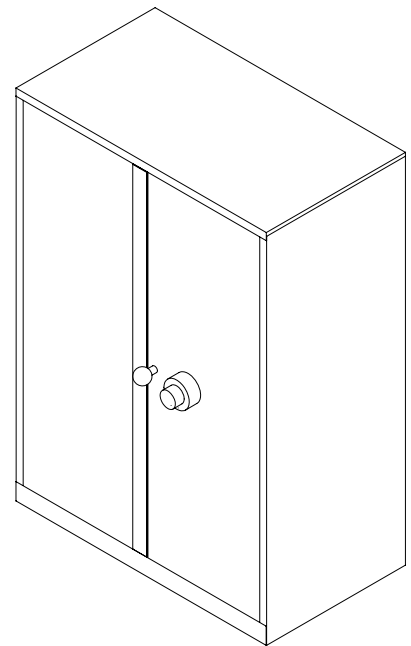
**Manufacturing**

- Made in Melbourne, Australia using locally sourced materials
- Manufactured for disassembly
- Polymer parts labelled for segregation and sorting
- Iron phosphate pre-treatment AS2331.3.1-2001 Method 3.1
- Planex factory uses a 100Kw roof mounted solar array to provide up to 25% of manufacturing electricity needs

**Environmental Certification**

- Product may contribute to Green Star credit points
- Production facility certified ISO14001 and ISO9001
- VOC compliant materials

Designed by Planex



Security Receding Door Accessories

Adjustable Shelf	Height	Width	Depth	Size
22-SHU-0900	25	755	450	900

Shelf Divider	Height	Width	Depth	Size
22-SHU-DIV	150	1	410	all

Pull-Out File Frame e/w	Height	Width	Depth	Size
22-SF-EW390-0900	127	543	420	900

Pull-Out Shelf	Height	Width	Depth	Size
22-SHPO-0900	20	690	450	900

Modular Drawer	Height	Width	Depth	Size
22-DRM-BM-0900 (4 rows)	127	538	420	n/a

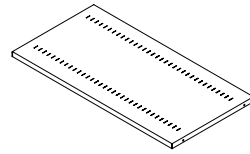
Modular Slotted Partition	Height	Width	Depth	Size
22-DRM-PS	100	15	378	all

Modular Compactor for CDs	Height	Width	Depth	Size
22-DRM-C9	125	135	1	all

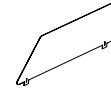
Modular Plain Partition	Height	Width	Depth	Size
22-DRM-PP	100	1	378	all

Wrap Around Toast Rack	Height	Width	Depth	Size
26-RACK-0900	200	735	400	900

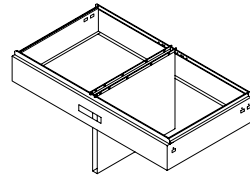
Square Toast Rack	Height	Width	Depth	Size
26-RACK-0900SQ	210	735	300	900



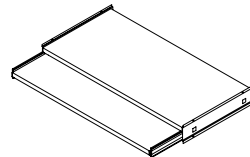
Adjustable Shelf



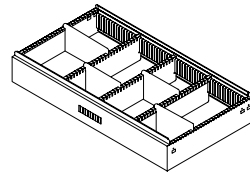
Shelf Divider



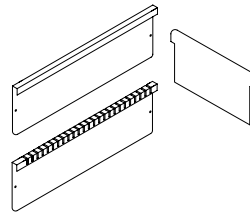
Pull-Out File Frame e/w



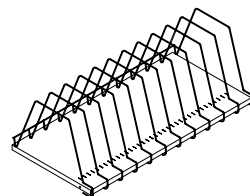
Pull-Out Shelf



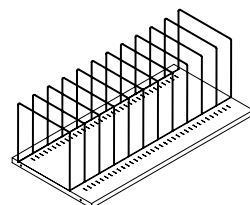
Modular Drawer



Modular Drawer Accessories



Wrap Around Toast Rack



Square Toast Rack

Copyright Planex 2018  
Information in this document may be  
subject to change without notification

**Head Office / Manufacturing**

191 Princes Highway, Hallam  
VIC Australia 3803  
PO Box 125 Hallam 3803  
Tel: +61 3 8795 1100  
Fax: +61 3 8795 1122  
Email Head Office: [info@planex.com.au](mailto:info@planex.com.au)

**Sydney Showroom**

(Mon - Fri, 9am - 5pm by appointment only)  
Studio 4, Level 2  
18-20 Victoria Street, Erskineville  
NSW 2043  
Tel: +61 2 9517 2411  
Fax: +61 2 9517 2544  
Email Sydney: [info@planex.com.au](mailto:info@planex.com.au)

**Adelaide Showroom**

(Mon - Fri, 9am - 5pm by appointment only)  
238 Grenfell Street, Adelaide  
SA 5000  
Tel: +61 3 8795 1100  
Email Adelaide: [info@planex.com.au](mailto:info@planex.com.au)

**Perth**

Tel: +61 3 8795 1100  
Email Perth: [info@planex.com.au](mailto:info@planex.com.au)

**Brisbane**

Tel: +61 3 8795 1100  
Email Brisbane: [info@planex.com.au](mailto:info@planex.com.au)

**Tasmania**

Tel: +61 3 8795 1100  
Email Tasmania: [info@planex.com.au](mailto:info@planex.com.au)

**ACT**

Tel: +61 3 8795 1100  
Email ACT: [info@planex.com.au](mailto:info@planex.com.au)