



Fatfile Swing Door Cabinet

File storage doesn't need to be boring. Fatfile Swing Door Cabinets are an elegant storage solution for both the office and home. Made entirely of steel, Fatfile will last a lifetime.

Designer Paul Morris has turned the utilitarian notion of filing systems on its head and come up with an exciting addition to the Australian storage scene. Fatfile Filing Cabinets can be used as a general storage system as well as for file storage.

Manufacturer	Planex Sales Pty Ltd
Location	Hallam, Melbourne
Standard Warranty	Ten years

Fatfile Dimensions

Swing Door Cabinet	Height	Width	Depth
25-FF05	650	900	525
25-FF06	970	900	525
25-FF07	1200	900	525

Accessories

Adjustable Shelf	Height	Width	Depth
25-FF-SHU	25	850	450

Shelf Divider	Height	Width	Depth
22-SHUU-DIV	135	1	380

Materials

- Welded body made of 100% recyclable BlueScope steel (with up to 20% recycled content)

Colours/Finishes

- Designer selected 6 fine textured Fatfile finishes: cyber green, grey green, deep taupe, aged silver, mannex black and mannex white

Product Features

- Leveling feet
- No locking device

Accessories Ordered Separately

- Optional lock available upon request
- Adjustable shelves
- Shelf dividers

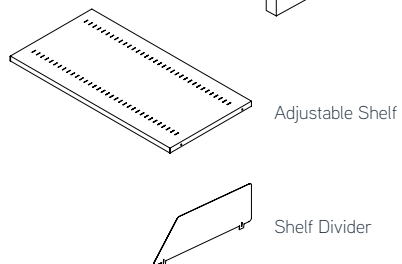
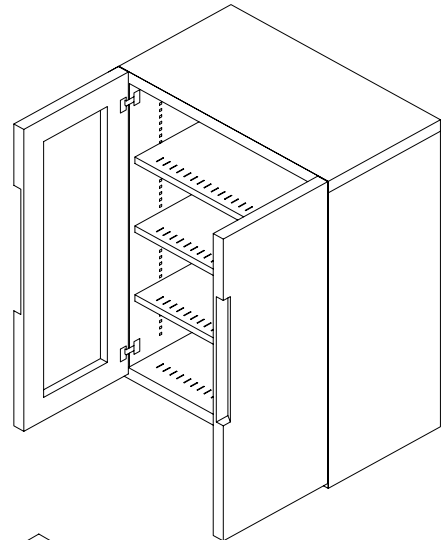
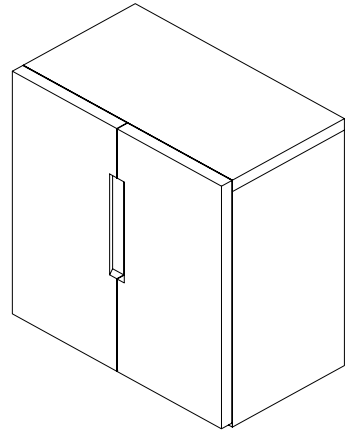
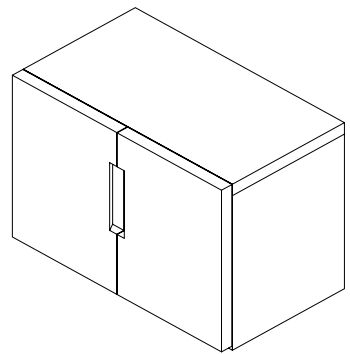
Manufacturing

- Made in Melbourne, Australia using locally sourced materials
- Manufactured for disassembly
- Polymer parts labelled for segregation and sorting
- Iron phosphate pre-treatment AS2331.3.1-2001 Method 3.1
- Planex factory uses a 100Kw roof mounted solar array to provide up to 25% of manufacturing electricity needs

Environmental Certification

- Product may contribute to Green Star credit points
- Production facility certified ISO14001 and ISO9001
- VOC compliant materials

Designed by Paul Morris



Copyright Planex 2018
Information in this document may be
subject to change without notification

Head Office / Manufacturing

191 Princes Highway, Hallam
VIC Australia 3803
PO Box 125 Hallam 3803
Tel: +61 3 8795 1100
Fax: +61 3 8795 1122
Email Head Office: info@planex.com.au

Sydney Showroom

(Mon - Fri, 9am - 5pm by appointment only)
Studio 4, Level 2
18-20 Victoria Street, Erskineville
NSW 2043
Tel: +61 2 9517 2411
Fax: +61 2 9517 2544
Email Sydney: info@planex.com.au

Adelaide Showroom

(Mon - Fri, 9am - 5pm by appointment only)
238 Grenfell Street, Adelaide
SA 5000
Tel: +61 3 8795 1100
Email Adelaide: info@planex.com.au

Perth

Tel: +61 3 8795 1100
Email Perth: info@planex.com.au

Brisbane

Tel: +61 3 8795 1100
Email Brisbane: info@planex.com.au

Tasmania

Tel: +61 3 8795 1100
Email Tasmania: info@planex.com.au

ACT

Tel: +61 3 8795 1100
Email ACT: info@planex.com.au