

Foldi - Desk Accessories

Planex is excited to launch Foldi, a brand new collection of designer desk accessories for the office and home.

Foldi is a collection of five exciting products that will help contain the clutter, organise pens, keep files together and accommodate papers on your desktop...wherever you work. The products arrive flat-packed and are simple and easy to fold into shape. The range consists of a folder file, a mini organiser, a pen/pencil holder, a paper tray and a document/device stand. The final products are finished in a textured powder coat with a basic colour palette of black, white, red, orange, yellow, eucalypt green and sage green. Enjoy the Foldi collection in one colour or mix and match, the choice is yours.

Manufacturer Planex Sales Pty Ltd
Location Hallam, Melbourne

Foldi Dimensions

Folder File	Height	Width	Depth	Weight (g)
Flat	696	398	1.0	1465
Assembled	303	200	201	1465
Document Stand	Height	Width	Depth	Weight (g)
Flat	210	281	1.0	378
Assembled	210	139	220	378
Mini Organiser	Height	Width	Depth	Weight (g)
Flat	210	301	1.0	384
Assembled	210	100	130	384
Paper Tray	Height	Width	Depth	Weight (g)
Flat	401	368	1.0	974
Assembled	248	301	80	974
Pen + Pencil Holder	Height	Width	Depth	Weight (g)
Flat	173	151	1.0	150
Assembled	71	39	110	150

* Once folded into shape, Foldi cannot be folded flat again as this will cause the micro joints to break

Materials

- 100% recyclable BlueScope steel (with 20% recycled content)

Colours/Finishes

- Textured White (WMX), Textured Black (BKT), Textured Sage Green (GRG), Orange X15 Ripple Gloss (OGR), Lemon Yellow Gloss (LMY) and Signal Red Gloss (RDS)

Product Features

- Rubber grommets to protect desk surfaces

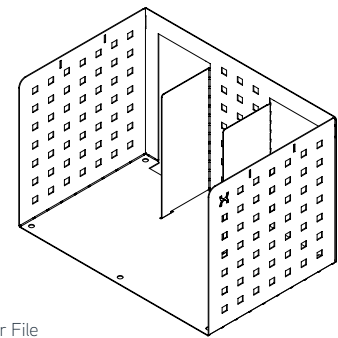
Manufacturing

- Made in Melbourne, Australia using locally sourced materials
- Manufactured for disassembly
- Polymer parts labelled for segregation and sorting
- Iron phosphate pre-treatment AS2331.3.1-2001 Method 3.1
- Planex factory uses a 100Kw roof-mounted solar array to provide up to 25% of manufacturing electricity needs

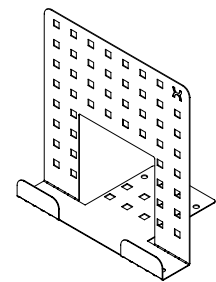
Environmental Certification

- Production facility certified ISO14001 and ISO9001
- VOC compliant materials

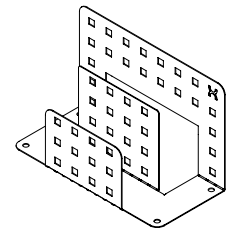
Designed by Planex



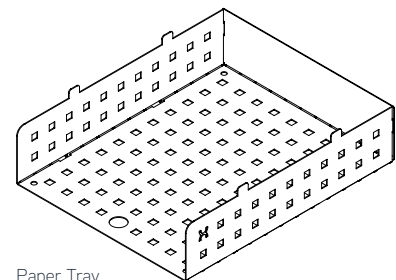
Folder File



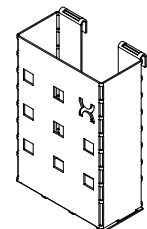
Document Stand



Mini Organiser



Paper Tray



Pen + Pencil Holder

Copyright Planex 2020
Information in this document may be
subject to change without notification

Head Office / Manufacturing

191 Princes Highway, Hallam
VIC Australia 3803
PO Box 125 Hallam 3803
Tel: +61 3 8795 1100
Fax: +61 3 8795 1122
Email Head Office: info@planex.com.au

Sydney

Tel: +61 3 8795 1100
Email Sydney: info@planex.com.au

Perth

Tel: +61 3 8795 1100
Email Perth: info@planex.com.au

Brisbane

Tel: +61 3 8795 1100
Email Brisbane: info@planex.com.au

Tasmania

Tel: +61 3 8795 1100
Email Tasmania: info@planex.com.au

ACT

Tel: +61 3 8795 1100
Email ACT: info@planex.com.au