

## Horizontal Plan Cabinet

A traditional plan chest suited to paper sizes A1 to A0.

Available in either 5 or 10 drawer models, Horizontal Plan Cabinets are suitable for storing thick or fragile items or in situations where attaching an adhesive strip is not appropriate. Available with optional castors or stand. Horizontal Plan Cabinets can be stacked two high. Available in 3 sheet sizes.

<b>Manufacturer</b>	Planex Sales Pty Ltd
<b>Location</b>	Hallam, Melbourne
<b>Standard Warranty</b>	Ten years

**Horizontal Plan Dimensions**

ISO A1	Height	Width	Depth
16-HA-5 (5 drawer)	470	950	650
16-HA-10 (10 drawer)	470	950	650

\*A1 max sheet size 865 x 605

ISO B1	Height	Width	Depth
16-HB-5 (5 drawer)	470	1170	900
16-HB-10 (10 drawer)	470	1170	900

\*B1 max sheet size 1085 x 850

ISO A0	Height	Width	Depth
16-HC-5 (5 drawer)	470	1295	900
16-HC-10 (10 drawer)	470	1295	900

\*A0 max sheet size 1210 x 850

**Accessories**

Plan Cabinet Stand	Height	Width	Depth
16-HSA (A1)	300	960	660
16-HSB (B1)	300	1180	910
16-HSC (A0)	300	1305	910

**Horizontal Plan Mobile Dimensions**

ISO A1	Height	Width	Depth
16-HA-05-C100 (5 drawer)	605	950	650
16-HA-10-C100 (10 drawer)	605	950	650

ISO B2	Height	Width	Depth
16-HB-05-C100 (5 drawer)	605	1170	900
16-HB-10-C100 (10 drawer)	605	1170	900

ISO A0	Height	Width	Depth
16-HC-05-C100 (5 drawer)	605	1295	900
16-HC-10-C100 (10 drawer)	605	1295	900

**Materials**

- Welded body made of 100% recyclable BlueScope steel (with up to 20% recycled content)

**Colours/Finishes**

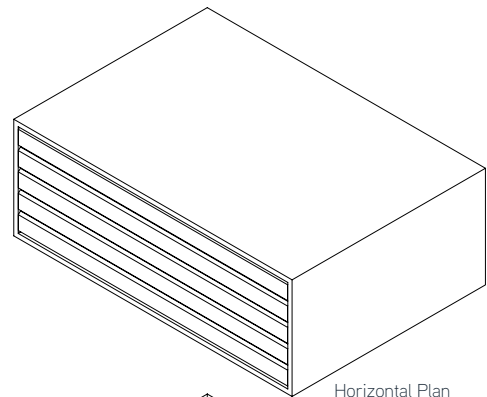
- Standard powder coats available in 150+ colours/finishes

**Product Features**

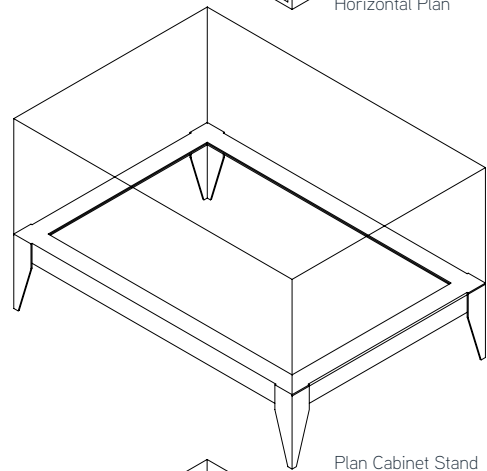
- 5 drawer internal drawer height 50mm
- 10 drawer internal drawer height 25mm
- A full-width metal return at rear of the drawer prevents plans from being damaged or curling
- A chromed rod flap at the front of the drawer keeps plans flat

**Manufacturing**

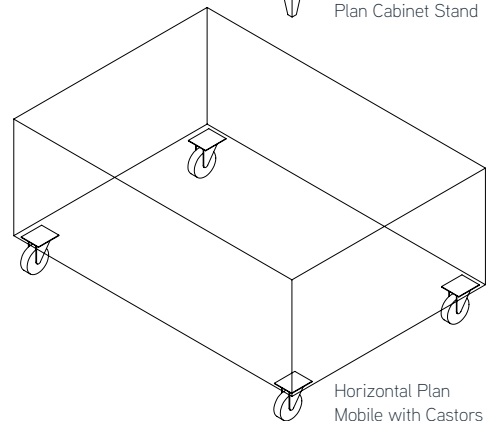
- Made in Melbourne, Australia using locally sourced materials
- Manufactured for disassembly
- Polymer parts labelled for segregation and sorting
- Iron phosphate pre-treatment AS2331.3.1-2001 Method 3.1
- Planex factory uses a 100kw roof mounted solar array to provide up to 25% of manufacturing electricity needs



Horizontal Plan



Plan Cabinet Stand



Horizontal Plan Mobile with Castors

**Environmental Certification**

- Product may contribute to Green Star credit points
- Production facility certified ISO14001 and ISO9001
- VOC compliant materials

**Designed by Planex**



Copyright Planex 2018  
Information in this document may be  
subject to change without notification

**Head Office / Manufacturing**

191 Princes Highway, Hallam  
VIC Australia 3803  
PO Box 125 Hallam 3803  
Tel: +61 3 8795 1100  
Fax: +61 3 8795 1122  
Email Head Office: [info@planex.com.au](mailto:info@planex.com.au)

**Sydney Showroom**

(Mon - Fri, 9am - 5pm by appointment only)  
Studio 4, Level 2  
18-20 Victoria Street, Erskineville  
NSW 2043  
Tel: +61 2 9517 2411  
Fax: +61 2 9517 2544  
Email Sydney: [info@planex.com.au](mailto:info@planex.com.au)

**Adelaide Showroom**

(Mon - Fri, 9am - 5pm by appointment only)  
238 Grenfell Street, Adelaide  
SA 5000  
Tel: +61 3 8795 1100  
Email Adelaide: [info@planex.com.au](mailto:info@planex.com.au)

**Perth**

Tel: +61 3 8795 1100  
Email Perth: [info@planex.com.au](mailto:info@planex.com.au)

**Brisbane**

Tel: +61 3 8795 1100  
Email Brisbane: [info@planex.com.au](mailto:info@planex.com.au)

**Tasmania**

Tel: +61 3 8795 1100  
Email Tasmania: [info@planex.com.au](mailto:info@planex.com.au)

**ACT**

Tel: +61 3 8795 1100  
Email ACT: [info@planex.com.au](mailto:info@planex.com.au)