



## Vertical Plan Cabinet

A vertical plan cabinet suited to paper sizes A1 to A0.

Vertical plan cabinets are used to store single sheet tracings and paper plans. Planex also supply the adhesive strips to hang plans. Ask about our Rodia™ products. Available to suit 3 paper sizes.

<b>Manufacturer</b>	Planex Sales Pty Ltd
<b>Location</b>	Hallam, Melbourne
<b>Standard Warranty</b>	Ten years

**Plan Dimensions**

Code	Height	Width	Depth	Size
01-MA4	1100	720	440	ISO A1 Max sheet size 880 x 630
02-MB1	1250	860	440	ISO B1 Max sheet size 1030 x 770
04-MC	1420	960	440	ISO A0 Max Sheet Size 1200 x 870

\*To hold up to 1200 plans (dependant on plan thickness)

**Materials**

- Welded body made of 100% recyclable BlueScope steel (with up to 20% recycled content)

**Colours/Finishes**

- Standard powder coats available in 150+ colours/finishes

**Product Features**

- European locking system with interchange barrel locks (1000 random combinations)
- Door knobs to temporarily hang plans
- Torsion bar to prevent lid dropping shut
- Provision for A5 card index system on inside of lid
- Retractable stabilizing feet activated by door movement
- Low level latches system allowing for easier filing and retrieval of drawings
- Depth of cabinets at base 395mm, at lid 440mm

**Accessories Ordered Separately**

- Rodia Suspension Strips/Rolls Rodia Index Dividers
- Rodia Art Bags Rodia Art Sleeves

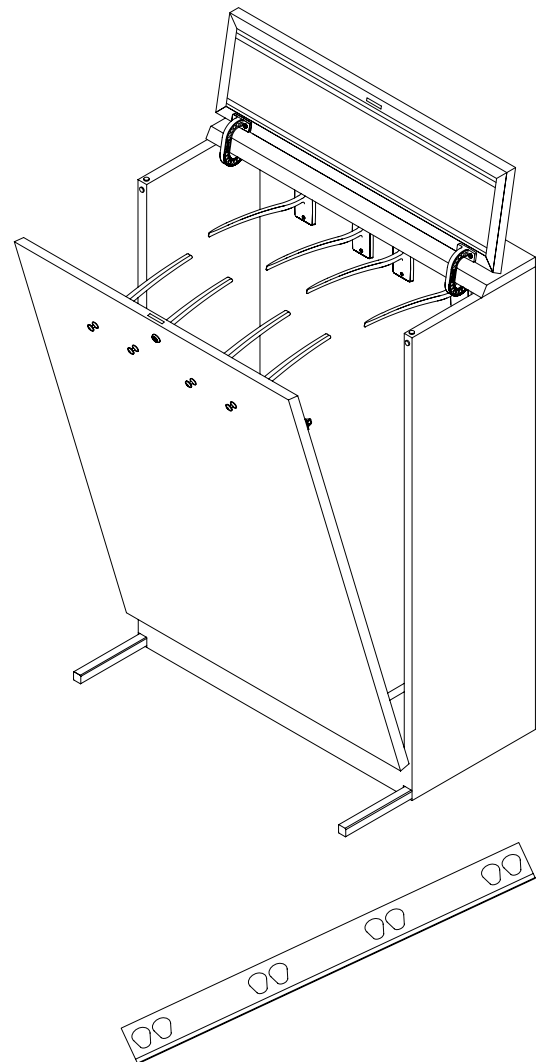
**Manufacturing**

- Made in Melbourne, Australia using locally sourced materials
- Manufactured for disassembly
- Polymer parts labelled for segregation and sorting
- Iron phosphate pre-treatment AS2331.3.1-2001 Method 3.1
- Planex factory uses a 100Kw roof mounted solar array to provide up to 25% of manufacturing electricity needs

**Environmental Certification**

- Product may contribute to Green Star credit points
- Production facility certified ISO14001 and ISO9001
- VOC compliant materials

Designed by Planex



Copyright Planex 2018  
Information in this document may be  
subject to change without notification

**Head Office / Manufacturing**

191 Princes Highway, Hallam  
VIC Australia 3803  
PO Box 125 Hallam 3803  
Tel: +61 3 8795 1100  
Fax: +61 3 8795 1122  
Email Head Office: [info@planex.com.au](mailto:info@planex.com.au)

**Sydney Showroom**

(Mon - Fri, 9am - 5pm by appointment only)  
Studio 4, Level 2  
18-20 Victoria Street, Erskineville  
NSW 2043  
Tel: +61 2 9517 2411  
Fax: +61 2 9517 2544  
Email Sydney: [info@planex.com.au](mailto:info@planex.com.au)

**Adelaide Showroom**

(Mon - Fri, 9am - 5pm by appointment only)  
238 Grenfell Street, Adelaide  
SA 5000  
Tel: +61 3 8795 1100  
Email Adelaide: [info@planex.com.au](mailto:info@planex.com.au)

**Perth**

Tel: +61 3 8795 1100  
Email Perth: [info@planex.com.au](mailto:info@planex.com.au)

**Brisbane**

Tel: +61 3 8795 1100  
Email Brisbane: [info@planex.com.au](mailto:info@planex.com.au)

**Tasmania**

Tel: +61 3 8795 1100  
Email Tasmania: [info@planex.com.au](mailto:info@planex.com.au)

**ACT**

Tel: +61 3 8795 1100  
Email ACT: [info@planex.com.au](mailto:info@planex.com.au)