



Virtu Lateral Drawer Cabinet

The clever design of the Virtu Lateral Drawer cabinet gives it the clean lines normally found only in joinery.

Planex's Virtu Lateral Drawer Cabinet has optional timber drawer fronts to achieve a more formal executive area look, while still retaining a consistent design throughout the office.

Manufacturer	Planex Sales Pty Ltd
Location	Hallam, Melbourne
Standard Warranty	Ten years

Virtu Dimensions

Lateral Drawer	Code	Height	Width	Depth
Two Drawer	25-V-LAT-2	670	900	500
Three Drawer	25-V-LAT-3	970	900	500
Four Drawer	25-V-LAT-4	1270	900	500

Accessories

L'Oblique AZO Drawer Files	Code	Suspension Axis	Height
Foolscap, V Base	23-FAZ039	390	250
Foolscap, 30mm Base	23-FAZ03930	390	250

Materials

- Welded body made of 100% recyclable BlueScope sheet steel (with 24.2% recycled content)

Colours/Finishes

- Standard powder coats available in 300+ colours/finishes

Product Features

- Discrete side pull handle
- Drawer slides rated at 80kg per pair
- Levelling feet
- European locking system with interchange barrel locks (1000 random combinations)
- Integrated anti-tilt system with counter weight
- Designed using 19mm board thickness enabling optional timber drawer fronts
- Drawer divider to convert filing from east/west to north/south

Accessories Ordered Separately

- Optional timber drawer fronts available in laminate or veneer
- L'Oblique AZO drawer files in V or 30mm bases
- Master key and option to key-alike available

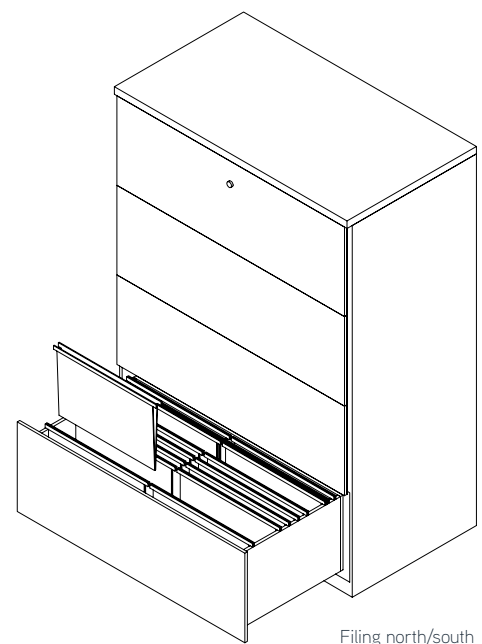
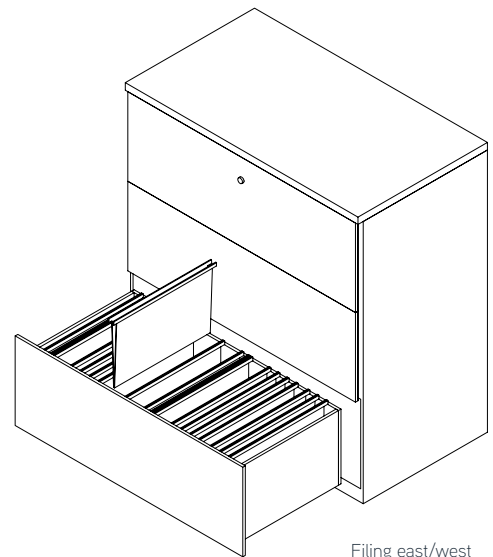
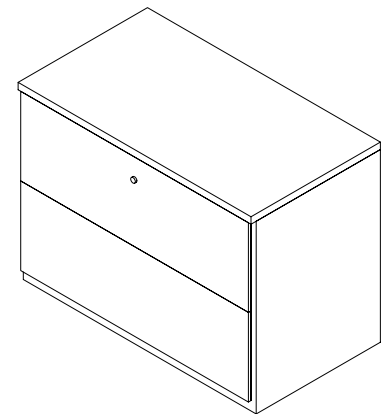
Manufacturing

- Made in Melbourne, Australia using locally sourced materials
- Manufactured for disassembly
- Polymer parts labelled for segregation and sorting
- Iron phosphate pre-treatment AS2331.3.1-2001 Method 3.1
- Planex factory uses a 100Kw roof mounted solar array to provide up to 25% of manufacturing electricity needs

Environmental Certification

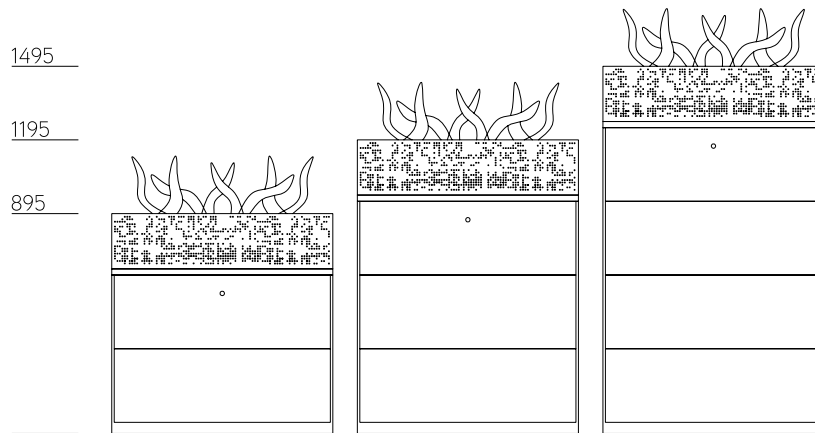
- Product may contribute to Green Star credit points
- Production facility certified ISO14001 and ISO9001
- VOC compliant materials

Designed by Planex



Planter Integration

Planter boxes easily integrate into Planex's range of steel storage, breathing new life and style into the landscape of any office. A collection of unique plant display units that double as a mobile screen or room divider, planter boxes can also be powdercoated and perforated with a punch pattern to match the style of the cabinet.





Copyright Planex 2022

Information in this document may be
subject to change without notification

Head Office / Manufacturing

191 Princes Highway Hallam

VIC Australia 3803

PO Box 125 Hallam 3803

Tel: +61 3 8795 1100

Fax: +61 3 8795 1122

Email Head Office: info@planex.com.au

National Sales and Distribution

Adelaide

Brisbane

Canberra

Hobart

Perth

Sydney

Tel: +61 3 8795 1100

Email: info@planex.com.au

www.planex.com.au