



# Virtu Mobile Tambour Door

Polypropylene

The clever design of the Virtu Lateral Drawer cabinet gives it the clean lines normally found only in joinery.

Virtu Mobile Tambour Door Cabinets offer a refined storage solution on European castors. The design features a single door with a clean, slim 20 mm profile that is usually associated with joinery and thin, rounded edge shelves. Available in 2 heights and 2 widths.

<b>Manufacturer</b>	Planex Sales Pty Ltd
<b>Location</b>	Hallam, Melbourne
<b>Standard Warranty</b>	Ten years

## Virtu Dimensions

Mobile Tambour Door PP	Height	Width	Depth
25-TP0670-900-C80	770	900	500
25-TP0970-900-C80	1070	900	500
25-TP0670-1200-C80	770	1200	500
25-TP0970-1200-C80	1070	1200	500

## Materials

- Welded body made of 100% recyclable BlueScope sheet steel (with 24.2% recycled content)
- Polypropylene door

## Colours/Finishes

- Standard powder coats available in 300+ colours/finishes
- Polypropylene (PP) tambour doors available in white and translucent (limited stock only). Bright silver (metallic), post grey, charcoal and black subject to availability. Silver grey to suit heights up to 1300mm only

## Product Features

- 80mm European locking castors
- European locking system with interchange barrel locks (1000 random combinations)
- No assembly required

## Accessories Ordered Separately

- Adjustable shelves
- Shelf dividers
- Pull-out reference shelves
- Pull-out file frames (for drawer files)
- Master keys and option to key-alike available

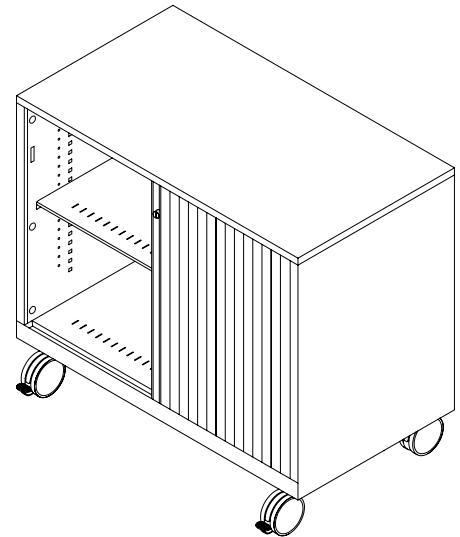
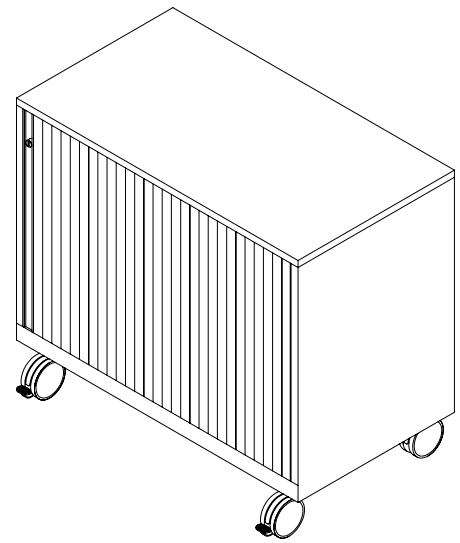
## Manufacturing

- Made in Melbourne, Australia using locally sourced materials
- Manufactured for disassembly
- Polymer parts labelled for segregation and sorting
- Iron phosphate pre-treatment AS2331.3.1-2001 Method 3.1
- Planex factory uses a 100kW roof mounted solar array to provide up to 25% of manufacturing electricity needs

## Environmental Certification

- Product may contribute to Green Star credit points
- Production facility certified ISO14001 and ISO9001
- VOC compliant materials

Designed by Planex



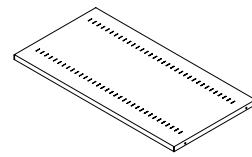
## Virtu Accessories

Adjustable Shelf	Height	Width	Depth	Size
25-V-VSHU-0900	10	820	410	900
25-V-VSHU-1200	10	1120	410	1200

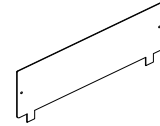
Shelf Divider	Height	Width	Depth	Size
25-V-VSHUU-DIV	120	1	380	all

Square Toast Rack	Height	Width	Depth	Size
26-RACK-0900SQ-VT	210	800	300	900
26-RACK-1200SQ-VT	210	1100	300	1200

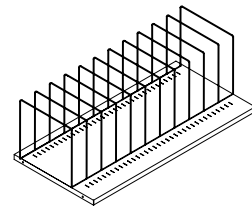
Pull-Out Shelf	Height	Width	Depth	Size
25-V-VSHPO-0900	20	729	412	900
25-V-VSHPO-1200	20	1029	412	1200



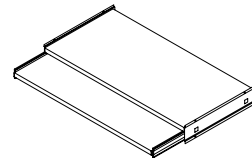
Adjustable Shelf



Shelf Divider



Square Toast Rack



Pull-Out Shelf



Copyright Planex 2024

Information in this document may be  
subject to change without notification

**Head Office / Manufacturing**

191 Princes Highway Hallam

VIC Australia 3803

PO Box 125 Hallam 3803

Tel: +61 3 8795 1100

Fax: +61 3 8795 1122

Email Head Office: [info@planex.com.au](mailto:info@planex.com.au)

**National Sales and Distribution**

Adelaide

Brisbane

Canberra

Hobart

Perth

Sydney

Tel: +61 3 8795 1100

Email: [info@planex.com.au](mailto:info@planex.com.au)

[www.planex.com.au](http://www.planex.com.au)