



Virtu Swing Door Cabinet

The clever design of the Virtu Swing Door cabinet gives it the clean lines normally found only in joinery.

While the design of the cabinet allows you to make a sleek and streamlined interior statement, the handle free, push release doors create a clean finish. Available in 4 heights and 1 width.

Manufacturer	Planex Sales Pty Ltd
Location	Hallam, Melbourne
Standard Warranty	Ten years

Virtu Dimensions

Swing Door Cabinet	Height	Width	Depth
25-V-SS0670	670	900	500
25-V-SS0970	970	900	500
25-V-SS1270	1270	900	500
25-V-SS1980	1980	900	500

Accessories

Adjustable Shelf	Height	Width	Depth
25-V-VSHU-0900	25	820	415

Shelf Divider

25-V-VSHUU-DIV	120	1	380
----------------	-----	---	-----

Materials

- Welded body made of 100% recyclable BlueScope sheet steel (with 24.2% recycled content)

Colours/Finishes

- Standard powder coats available in 300+ colours/finishes

Product Features

- Adjustable levelling feet
- European locking system with interchange barrel locks (1000 random combinations)
- Handle free design operated by push release
- No assembly required

Accessories Ordered Separately

- Adjustable shelves
- Shelf dividers
- Master keys and option to key-alike available

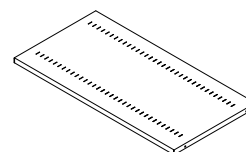
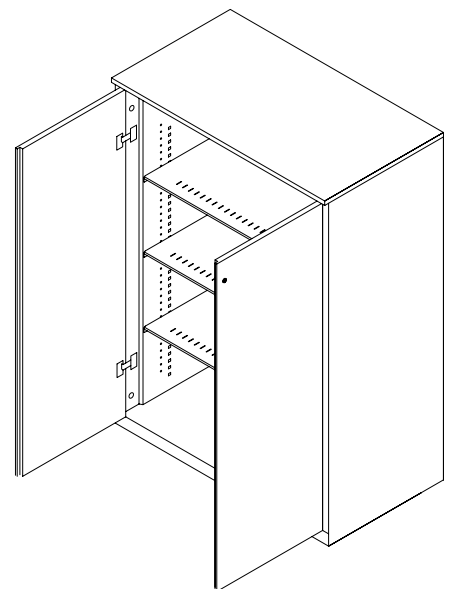
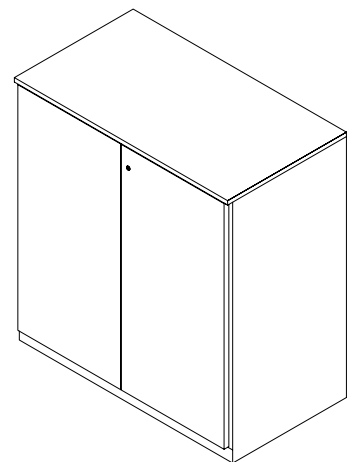
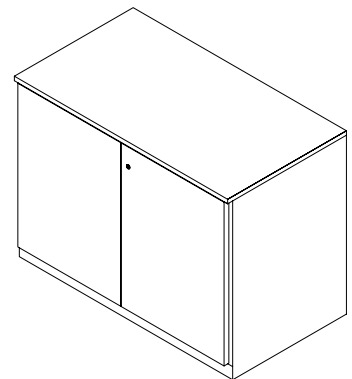
Manufacturing

- Made in Melbourne, Australia using locally sourced materials
- Manufactured for disassembly
- Polymer parts labelled for segregation and sorting
- Iron phosphate pre-treatment AS2331.3.1-2001 Method 3.1
- Planex factory uses a 100kW roof mounted solar array to provide up to 25% of manufacturing electricity needs

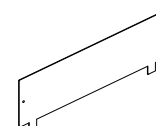
Environmental Certification

- Product may contribute to Green Star credit points
- Production facility certified ISO14001 and ISO9001
- Tested VOC compliant

Designed by Planex



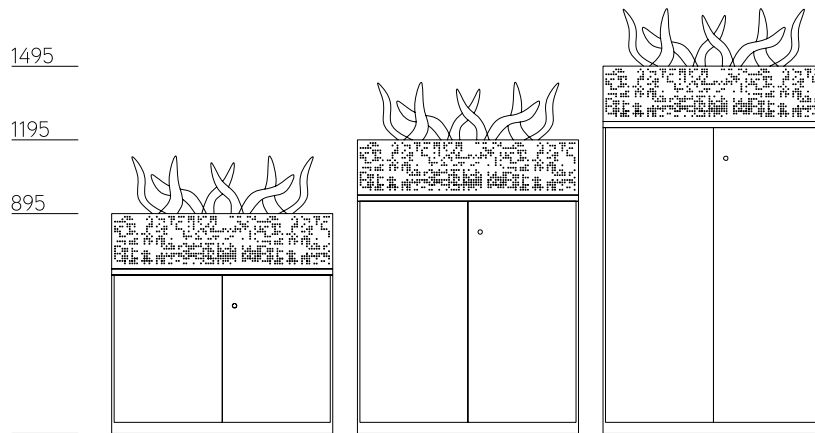
Adjustable Shelf



Shelf Divider

Planter Integration

Planter boxes easily integrate into Planex's range of steel storage, breathing new life and style into the landscape of any office. A collection of unique plant display units that double as a mobile screen or room divider, planter boxes can also be powdercoated and perforated with a punch pattern to match the style of the cabinet.





Copyright Planex 2024

Information in this document may be
subject to change without notification

Head Office / Manufacturing

191 Princes Highway Hallam

VIC Australia 3803

PO Box 125 Hallam 3803

Tel: +61 3 8795 1100

Fax: +61 3 8795 1122

Email Head Office: info@planex.com.au

National Sales and Distribution

Adelaide

Brisbane

Canberra

Hobart

Perth

Sydney

Tel: +61 3 8795 1100

Email: info@planex.com.au

www.planex.com.au