



# Virtu Mobile Tambour Door

Polypropylene

The clever design of the Virtu Lateral Drawer cabinet gives it the clean lines normally found only in joinery.

Virtu Mobile Tambour Door Cabinets offer a refined storage solution on European castors. The design features a single door with a clean, slim 20 mm profile that is usually associated with joinery and thin, rounded edge shelves. Available in 2 heights and 2 widths.

<b>Manufacturer</b>	Planex Sales Pty Ltd
<b>Location</b>	Hallam, Melbourne
<b>Standard Warranty</b>	Ten years

## Virtu Dimensions

Mobile Tambour Door PP	Height	Width	Depth
25-TP0670-900-C80	770	900	500
25-TP0970-900-C80	1070	900	500
25-TP0670-1200-C80	770	1200	500
25-TP0970-1200-C80	1070	1200	500

## Materials

- Welded body made of 100% recyclable BlueScope sheet steel (with 24.2% recycled content)
- Polypropylene door

## Colours/Finishes

- Standard powder coats available in 300+ colours/finishes
- Polypropylene (PP) tambour doors available in white and translucent (limited stock only). Bright silver (metallic), post grey, charcoal and black subject to availability

## Product Features

- 80mm European locking castors
- European locking system with interchange barrel locks (1000 random combinations)
- No assembly required

## Accessories Ordered Separately

- Adjustable shelves
- Shelf dividers
- Pull-out reference shelves
- Pull-out file frames (for drawer files)
- Master keys and option to key-alike available

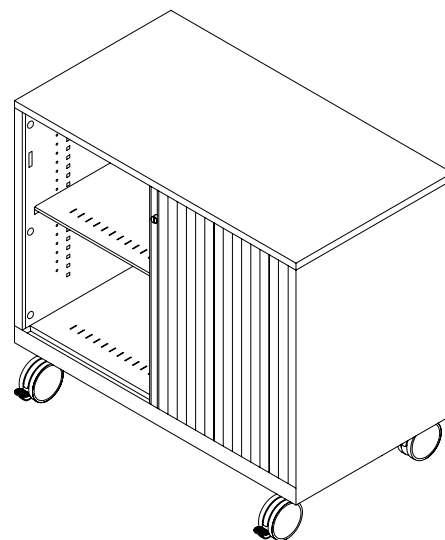
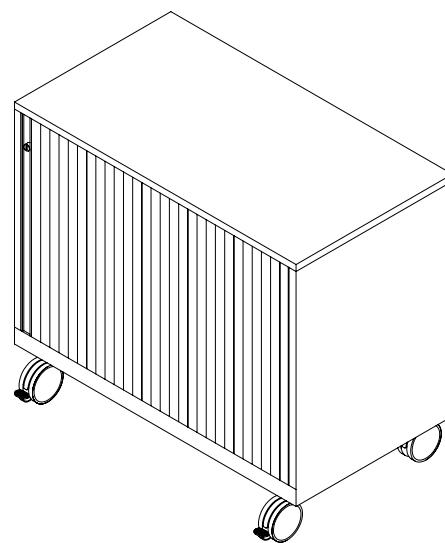
## Manufacturing

- Made in Melbourne, Australia using locally sourced materials
- Manufactured for disassembly
- Polymer parts labelled for segregation and sorting
- Iron phosphate pre-treatment AS2331.3.1-2001 Method 3.1
- Planex factory uses a 100kW roof mounted solar array to provide up to 25% of manufacturing electricity needs

## Environmental Certification

- Product may contribute to Green Star credit points
- Production facility certified ISO14001 and ISO9001
- VOC compliant materials

Designed by Planex



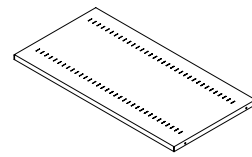
## Virtu Accessories

Adjustable Shelf	Height	Width	Depth	Size
25-V-VSHU-0900	10	820	410	900
25-V-VSHU-1200	10	1120	410	1200

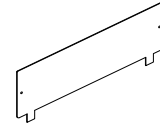
Shelf Divider	Height	Width	Depth	Size
25-V-VSHUU-DIV	120	1	380	all

Square Toast Rack	Height	Width	Depth	Size
26-RACK-0900SQ-VT	210	800	300	900
26-RACK-1200SQ-VT	210	1100	300	1200

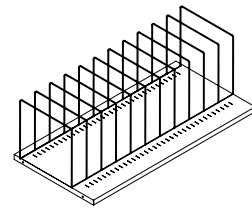
Pull-Out Shelf	Height	Width	Depth	Size
25-V-VSHPO-0900	20	729	412	900
25-V-VSHPO-1200	20	1029	412	1200



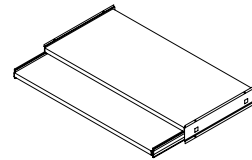
Adjustable Shelf



Shelf Divider



Square Toast Rack



Pull-Out Shelf



Copyright Planex 2023

Information in this document may be  
subject to change without notification

**Head Office / Manufacturing**

191 Princes Highway Hallam

VIC Australia 3803

PO Box 125 Hallam 3803

Tel: +61 3 8795 1100

Fax: +61 3 8795 1122

Email Head Office: [info@planex.com.au](mailto:info@planex.com.au)

**National Sales and Distribution**

Adelaide

Brisbane

Canberra

Hobart

Perth

Sydney

Tel: +61 3 8795 1100

Email: [info@planex.com.au](mailto:info@planex.com.au)

[www.planex.com.au](http://www.planex.com.au)