



## Fatfile Mobile Pedestal

File storage doesn't need to be boring. Mobile Pedestals are an elegant storage solution for both the office and home. Made entirely of steel, Fatfile will last a lifetime.

Designer Paul Morris has turned the utilitarian notion of filing systems on its head and come up with an exciting addition to the Australian storage scene. With deep drawers featuring enclosed sides, Fatfile Filing Cabinets can be used as a general storage system as well as for file storage.

Manufacturer	Planex Sales Pty Ltd
Location	Hallam, Melbourne
Standard Warranty	Ten years

## Fatfile Dimensions

Mobile Pedestal	Height	Width	Depth
25-FF-01	520	465	625

## Accessories

L'Oblique AZO Drawer Files	Code	Suspension Axis	Height
Foolscap, V Base	23-FAZO39	390	250
Foolscap, 30mm Base	23-FAZO3930	390	250

## Materials

- Welded body made of 100% recyclable BlueScope sheet steel (with 24.2% recycled content)

## Colours/Finishes

- Designer has selected 9 Fatfile colours and finishes: deep ocean, monument, coast, transformer grey, signal red, black ace, burnished copper, shale grey and crystal matt clear

## Product Features

- European castors
- 1 utility and 1 file drawer for standard drawer files
- Full extension ball bearing slides on file drawers
- $\frac{3}{4}$  extension ball bearing slides on utility drawer
- Drawer slides rated at 45kg per pair
- Integrated anti-tilt system with counter weight
- Removable pencil tray
- No locking device

## Accessories Ordered Separately

- Optional lock available upon request
- L'Oblique AZO drawer files in V or 30mm bases

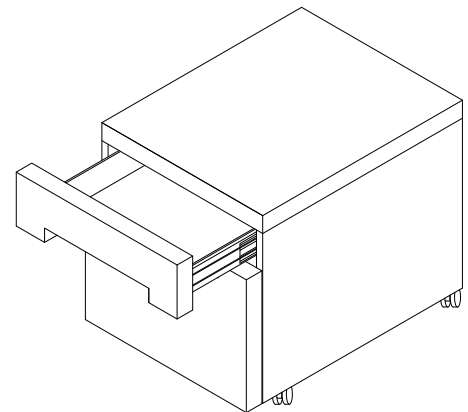
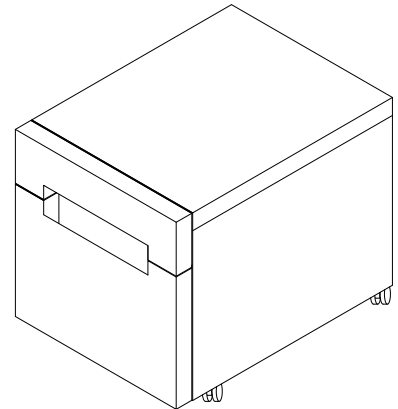
## Manufacturing

- Made in Melbourne, Australia using locally sourced materials
- Manufactured for disassembly
- Polymer parts labelled for segregation and sorting
- Iron phosphate pre-treatment AS2331.3.1-2001 Method 3.1
- Planex factory uses a 100kW roof mounted solar array to provide up to 25% of manufacturing electricity needs

## Environmental Certification

- Product may contribute to Green Star credit points
- Production facility certified ISO14001 and ISO9001
- VOC compliant materials

Designed by Paul Morris





Copyright Planex 2024

Information in this document may be  
subject to change without notification

**Head Office / Manufacturing**

191 Princes Highway Hallam

VIC Australia 3803

PO Box 125 Hallam 3803

Tel: +61 3 8795 1100

Fax: +61 3 8795 1122

Email Head Office: [info@planex.com.au](mailto:info@planex.com.au)

**National Sales and Distribution**

Adelaide

Brisbane

Canberra

Hobart

Perth

Sydney

Tel: +61 3 8795 1100

Email: [info@planex.com.au](mailto:info@planex.com.au)

[www.planex.com.au](http://www.planex.com.au)